

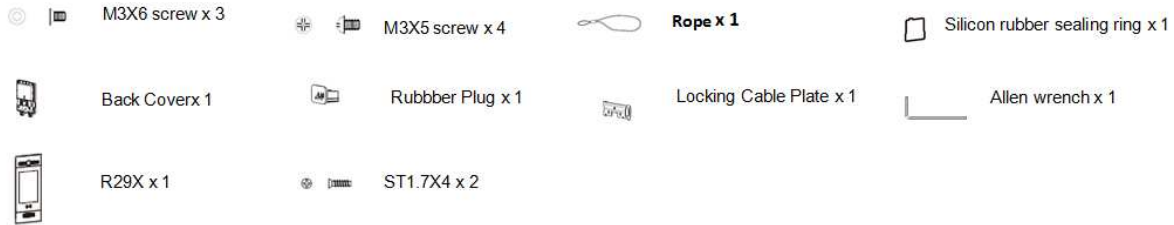
# R29 installation manual



Support: P: 646 228 6341  
E: support@whoop.ai

## Preparation

### • Mainframe accessories:



### • Wallmounting accessories



### • Flush mounting accessories

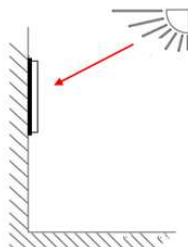


### • Plasterboard mounting installation accessories



## Installation warning:

Do not install R29 under direct sunlight where it can become damaged by high temperatures.

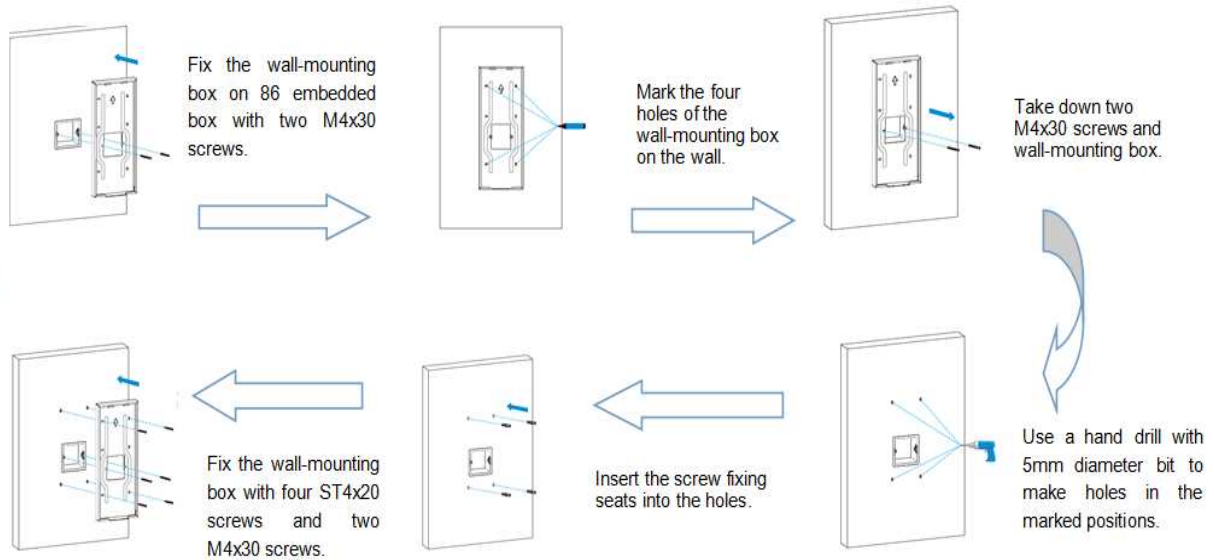


# Installation

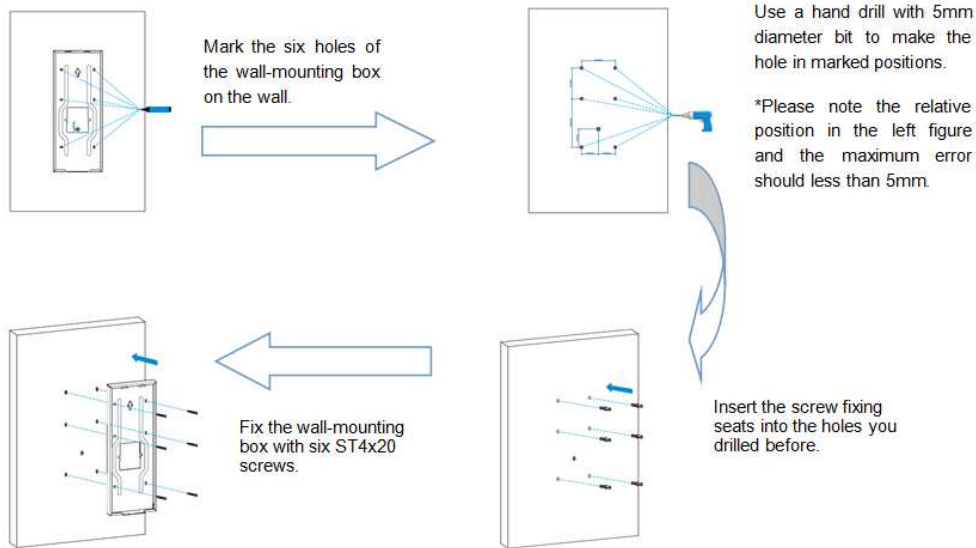
## Bracket/Box installation

### 1. Wall mounting

With 86 embedded box in the wall:

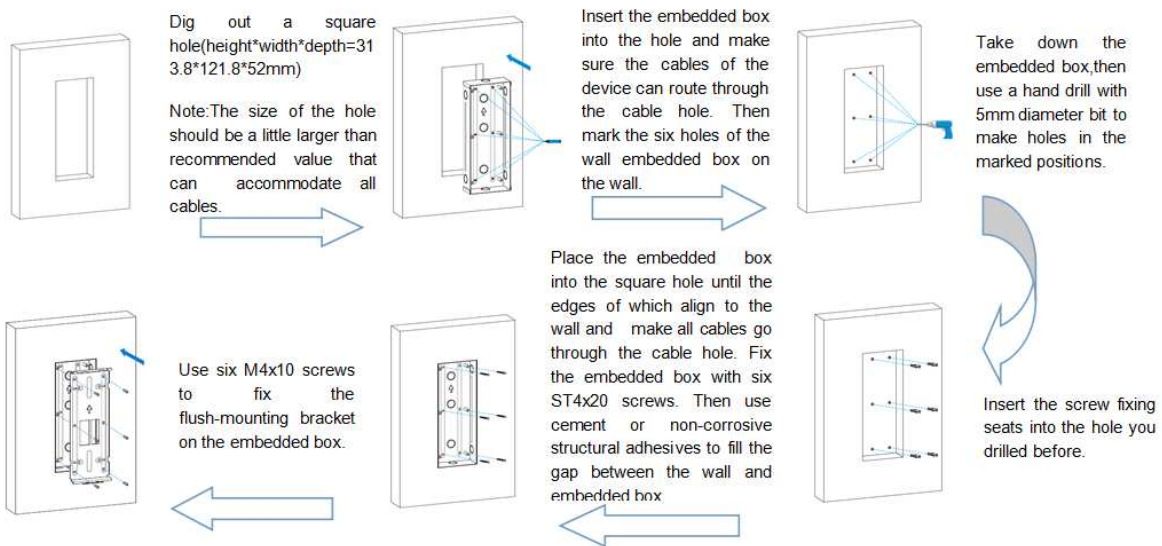


Without 86 embedded box in the wall:

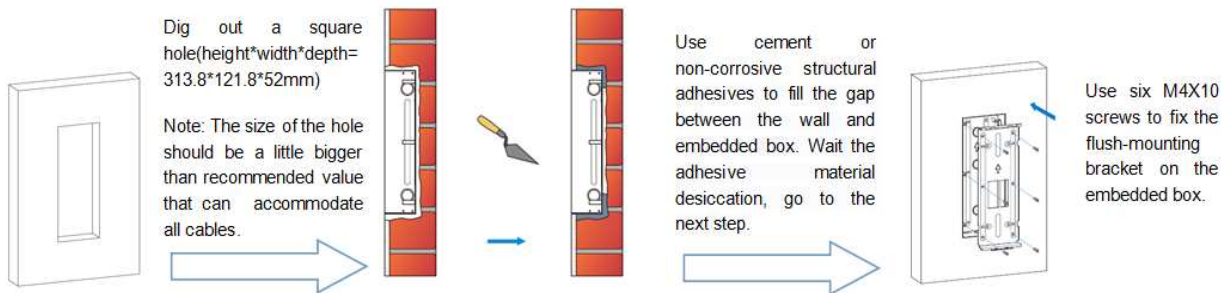


### 2. Flush mounting

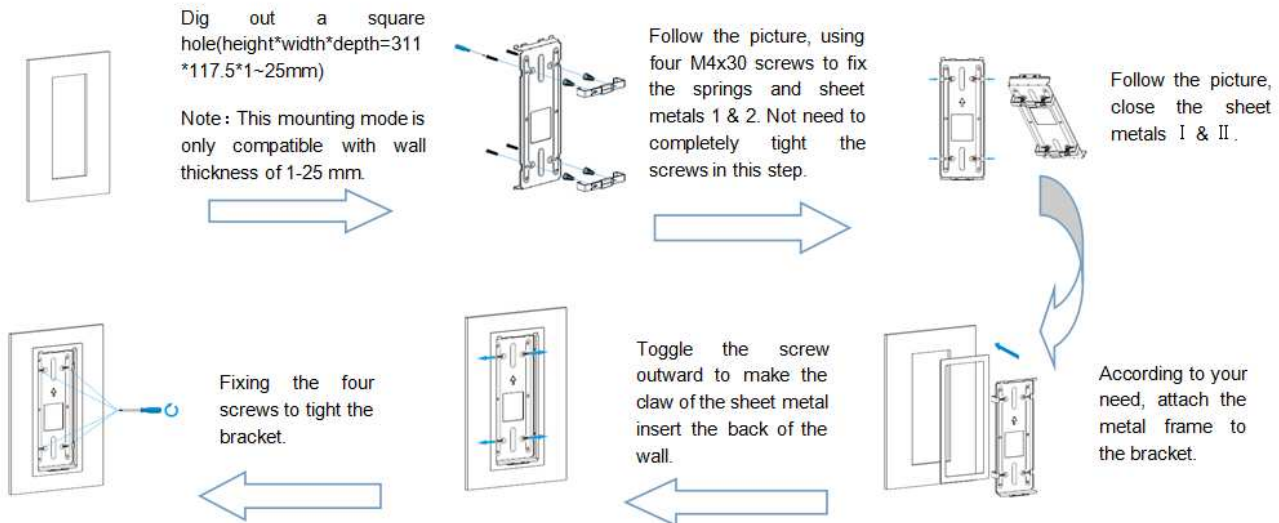
Normal installation:



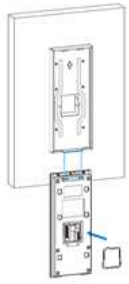
Or you can choose another simple method without fixing ST4x20 screws:



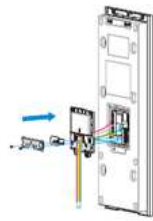
### 3. Plasterboard mounting



## Back cover installation



For convenient wiring, hang R29X on the wall-mounting box/flush-mounting bracket with rope. Then insert the silicon rubber sealing ring into the groove.

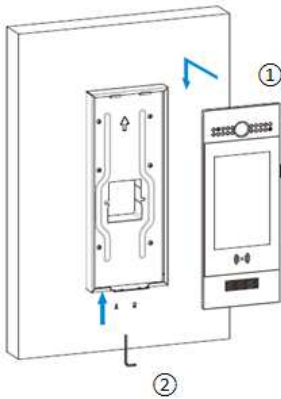


Make cables go through the back cover, connecting to the corresponding interfaces of the main board. Choose a suitable size rubber plug to compress cables, then fasten the locking cable plate with two ST1.7x4 screws.

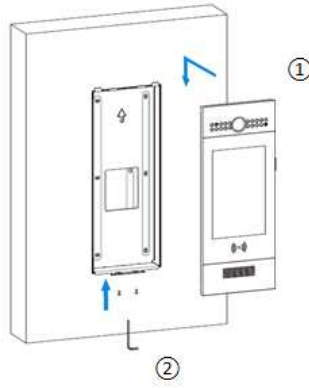


Use four M3x5 screws to fix the back cover.

## Device mounting



Wall Mounting



Flush Mounting & Plasterboard Mounting

1. Place the device into the wall-mounting box / flush-mounting bracket until the edges of which align to the wall. Then pull the device downward and ensure the groove of it hooks to the lock catches of the back box.

2. Use the Allen wrench to tighten the device with two M3x6 screws.

We normally mount our units directly on the wall using a surface mount:



Occasionally we use recessed mounting brackets (we have them for drywall and for brick... please ask if you need these:



Sometimes we use our surface mounts but the intercom that we replaced is larger and left a hole that is too large for our device to cover. In those cases we use aluminum or stainless steel plates and/or PVC boards:



(Satin Aluminum plate on brick)



(Satin Aluminum Plate on a PVC board that we mounted into the wall)

We normally use: Everbuilt 8x16 Push Plates

We like them because they have a nice finish and fit nicely around our units.

If we need something larger: Everbuilt 10x34 Door Kick

\*\* Cutting these kick plates is a bit tricky and you need to pay attention to finishing the cut edges so that they are not sharp.\*\*

Please contact support for additional information # 954.247.1535

